

Dixie-Narco®



Lawrence Street
Ranson, West Virginia 25438

(304) 725-3481
(800) 624-0553

Service Bulletin # _____

Date: January 25, 1984

MODELS: CFT - Open Coolers
Flat Tops

IDENTIFICATION: These are Flat Top Open Cooler on which the complete refrigeration system can be removed and replaced.
FEATURE: Subject temperature control is designed for these open coolers only.

SUBJECT: Replacement temperature control - Cutler Hammer.

Cutler Hammer 9531-N262 (Number stamped on Control)
Replaces
Ranco A12-1682 (Number stamped on Control)

ORDER AS: Part Number 802,800,160.11 (Number stamped on Control)

TEMPERATURE CONTROL
ALTITUDE ADJUSTMENT:

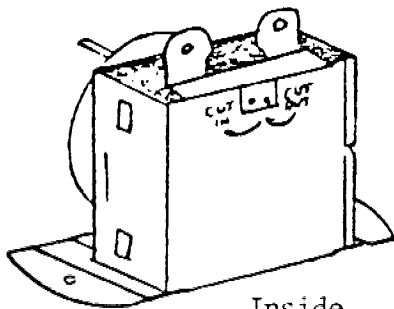
Control is factory set at altitude of 500 Ft. For higher altitudes, control should be adjusted to prevent freeze-up of product. Adjust inside range screw as follows:

ALTITUDE FEET

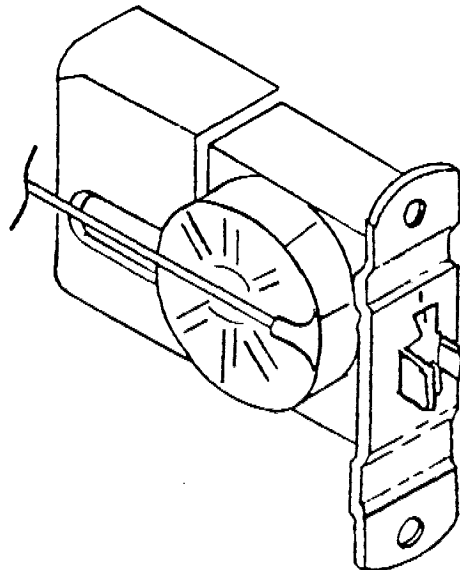
2000
4000
6000
8000

CUTLER-HAMMER
BOTH SCREWS
COUNTER-CLOCKWISE

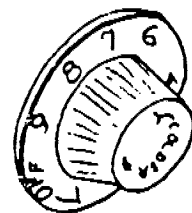
1/8 turn
1/4 turn
1/2 turn
5/8 turn



Inside
Range Screws



Outside
Range Screw



DIXIE-NARCO, INC.
Service Department